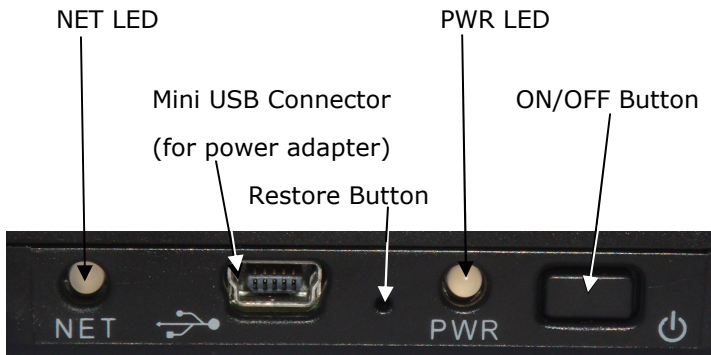


PWR LED

Color	State	Indication
None	None	Power is OFF
RED	Solid	Power is ON
RED	Flashing slow	Battery low
YELLOW	Solid	Power is OFF and Battery is charging
ORANGE	Solid	Power is ON and Battery is charging

NET LED

Color	State	Indication
None	None	No USB stick installed
RED	Solid	USB stick installed, not connected
RED	Flashing fast	USB stick installed, not supported
BLUE	Solid	USB stick installed and ready
BLUE	Flashing slow	Connected to Network
PURPLE	Solid	Battery fully discharged



1 Unpacking and Installing

Wi-REACH Classic installation is simple and all the required accessories are supplied with the device (except for the USB 3G modem which you should already have).

➤ To install Wi-REACH Classic:

- 1 Before you can use Wi-REACH Classic, you will need to charge its battery, insert the SIM card into the USB 3G modem and keep the modem handy for the procedure "Installing a USB Modem" further down.
Note: Charge the battery with the power supply provided for at least 3 hours before first use when the unit is turned OFF. Alternatively, connect the power supply and keep this connection during the installation.
Note: To use the power supply, connect the USB cable provided to the power supply USB connector and select the correct AC plug for your area. The mini USB plug on the end of the cable connects to the Wi-REACH Classic mini USB connector.

- 2 Press the power switch.

The PWR LED will turn ON and the NET LED will flash BLUE once.

Note: PWR LED color will depend on whether you are running on battery power, or with a power supply connected. (see LED indications chart for more details)

2 Configuring Wi-REACH Classic via WiFi and a web browser

This section describes how to configure Wi-REACH Classic via your web browser.

In order to access Wi-REACH Classic with your browser, you first need to connect your computer or device to Wi-REACH Classic via WiFi.

➤ To connect to Wi-REACH Classic:

- 1 Make sure Wi-REACH Classic power is ON.
- 2 Find and connect to Wi-REACH Classic using the WiFi manager application on your computer or device. This process varies depending on your computer/device and operating system.
- 3 Select "**Wi-REACH**" from the wireless networks found and connect to it.
Wi-REACH Classic is shipped from the factory with no WiFi security configured.
Note: make sure the WiFi manager is configured to show both infrastructure and ad-hoc WiFi networks.
- 4 In your web browser's address bar, type in **http://192.168.0.1** and Enter.

Wi-REACH Classic's internal configuration web site will be displayed showing the General Information page.

Wi-REACH Personal Hotspot



Home Cellular WiFi DHCP Gateway Profiles Remote Update Admin Login

General Info Connection Info Modem Info

General Information

IP Address	0.0.0.0	Subnet Mask	255.255.255.0
SSID	Wi-REACH	Security	None
System Status		Firmware Version	ID808q03 2.6.2010 (WRCH)
MAC Address	0019882AE0BA	Modem Status	No USB Modem attached

Active Profile: Profile0

Battery Status:

➤ To configure cellular parameters:

- 5 Select "**Cellular**". The Cellular configuration page will be displayed.

Erase the "APN" text and fill out the APN that you received from your cellular provider, and User Name and Password if needed.

If you have a CDMA modem, fill out "CDMA" (without the quotes) in the APN field.

Note: You may need to update your firmware to support CDMA modems. Check the support area at www.connectone.com.

Select "**Save**".

Wi-REACH Personal Hotspot

Home Cellular WiFi DHCP Gateway Profiles Remote Update Admin Login

Cellular Configuration

Dial String *99#

APN APN

User Name

Password

For changes to take effect, recycle power to WI-REACH.

Save Reset Force

Active Profile: Profile0 Battery Status: [Green icon]

3 Installing a USB Modem

➤ To connect Wi-REACH Classic to the network:

- 1 Make sure Wi-REACH Classic is turned OFF.
- 2 Insert the USB modem into the Wi-REACH Classic and turn ON Wi-REACH Classic.
- 3 Find and connect to Wi-REACH Classic using the WiFi manager application on your computer or device. This process varies depending on your computer/device and operating system.

- 4 Select "Wi-REACH" from the wireless networks found and connect to it.

- 5 In your web browser's address bar, enter

Wi-REACH Personal Hotspot

Home Cellular WiFi DHCP Gateway Profiles Remote Update Admin Login

General Information

IP Address	0.0.0.0	Subnet Mask	255.255.255.0
SSID	WI-REACH	Security	None
System Status	ID808q03 2.6.2010 (WRCH)		
MAC Address	0019882AE0BA	Modem Status	No USB Modem attached

Active Profile: Profile0 Battery Status: [Green icon]

http://192.168.0.1 and Enter.

Wi-REACH Classic's internal configuration web site will be displayed.

On the Wi-REACH Classic, the NET LED will initially turn **RED**. After the modem is recognized and ready, the NET LED will turn a **solid BLUE**.

Finally, when the modem goes online, the NET LED will **flash BLUE slowly**.

Once the modem goes online, the **IP Address** will show the address received from the cellular provider, the **System Status** will show "Connected to ISP", and the **Modem Status** will show "USB modem online".

Wi-REACH Personal Hotspot

Home Cellular WiFi DHCP Gateway Profiles Remote Update Admin Login

General Information

IP Address	10.195.176.184	Subnet Mask	255.255.255.0
SSID	WI-REACH	Security	None
System Status	Connected to ISP		
MAC Address	0019882AE0BA	Modem Status	USB modem online

Active Profile: Profile0 Battery Status: [Yellow icon]

Note: The amount of time it will take the modem to go online depends on the type of modem and the specific cellular provider you are connecting to. In general, this process may be as fast as 30 seconds, or as slow as about 2 minutes.

If the modem does not go online, pls recheck the APN, username and password you entered in the Cellular configuration page.

Once the modem is online, you can browse to an internet location.

Note: If you are unable to immediately browse to an internet location, wait a few seconds and try again since DNS information is usually retrieved from the cellular provider only after going ONLINE.

USB Modem Tips

Note: if a modem is not supported by Wi-REACH Classic, when it is inserted into Wi-REACH Classic, the NET LED will eventually flash (fast) RED.

➤ Cellular Provider APN, username and password

Before a 3G USB modem can connect to the cellular provider, it must be configured with the correct APN (Access Point Name) of that cellular provider.

For 3G service, most providers have a specific APN that needs to be used.

The best place to get this APN information is from your cellular provider.

The APN info may also be found within the configuration area of the modem driver you may have installed on a computer.

The internet is also a good place to look for the APN for your cellular provider – you may search by entering your provider's name and the text "APN".

For many cellular providers, only the APN needs to be configured to the modem to connect correctly. Some cellular providers, however, require a "username" and "password" to be configured as well. Again, the best place to get this information is from your cellular provider.