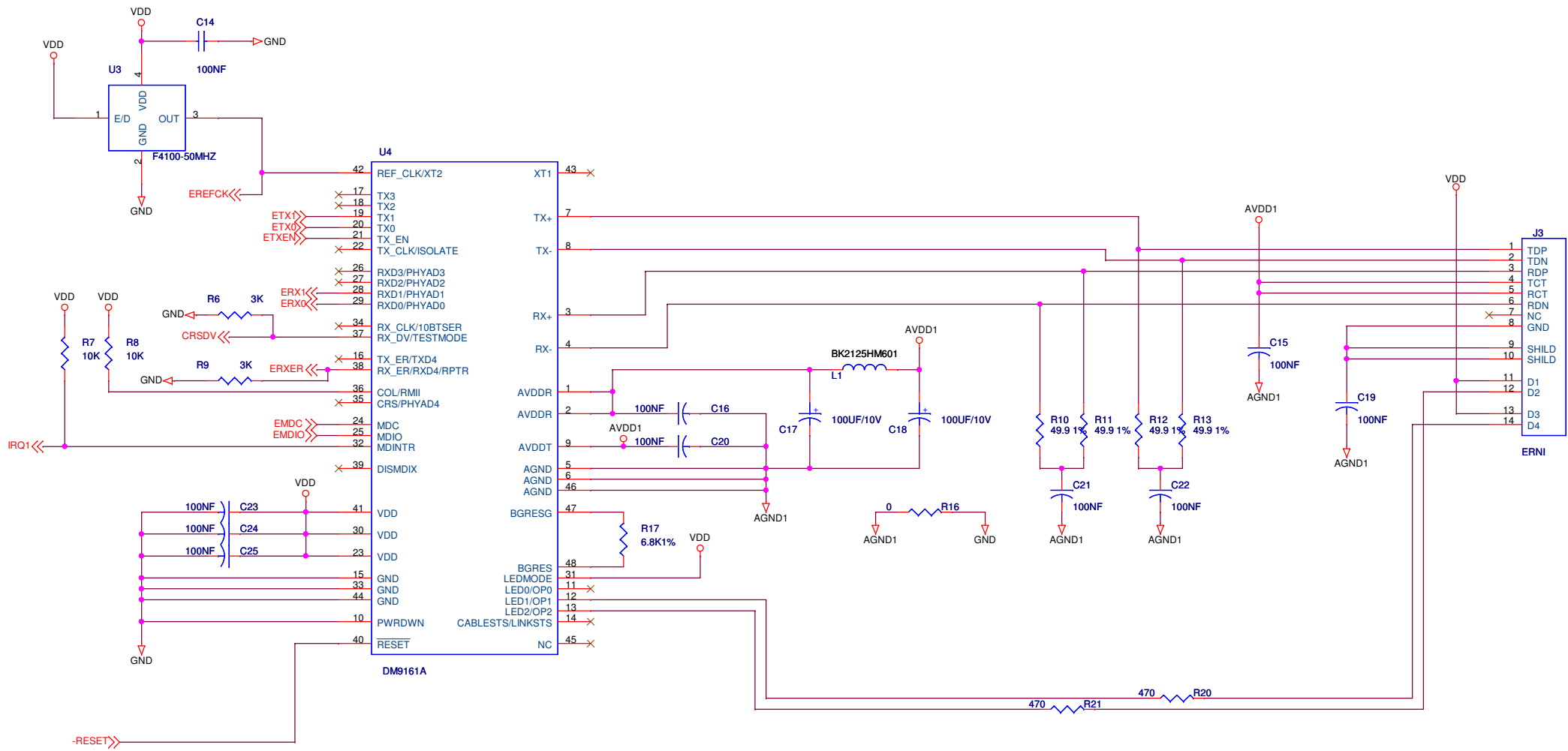
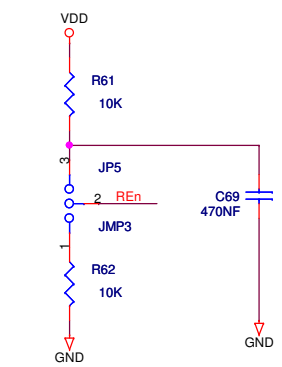
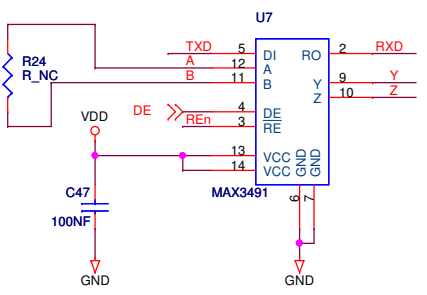


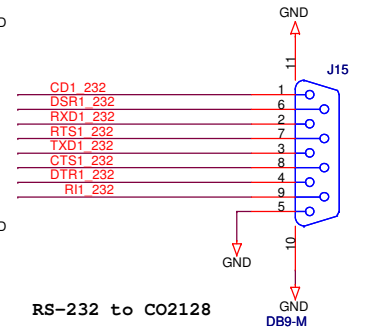
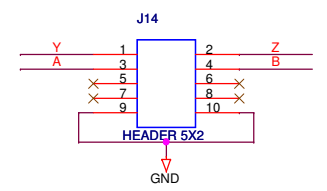
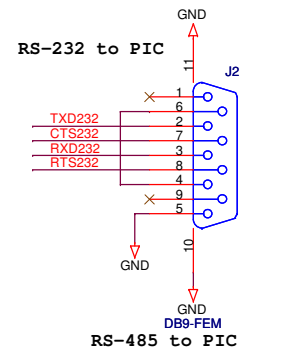
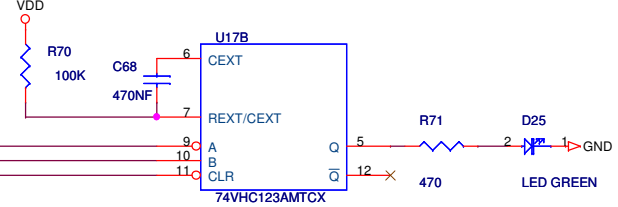
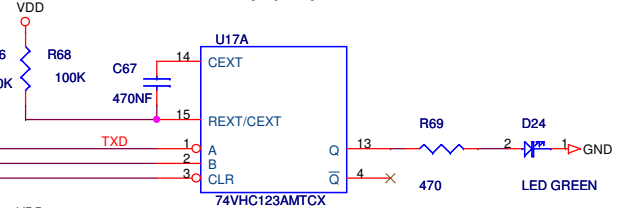
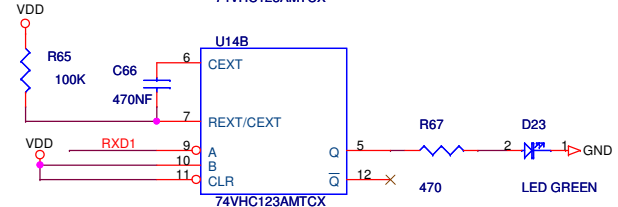
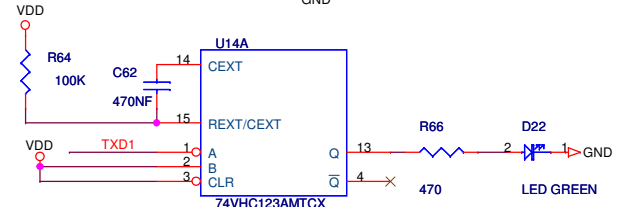
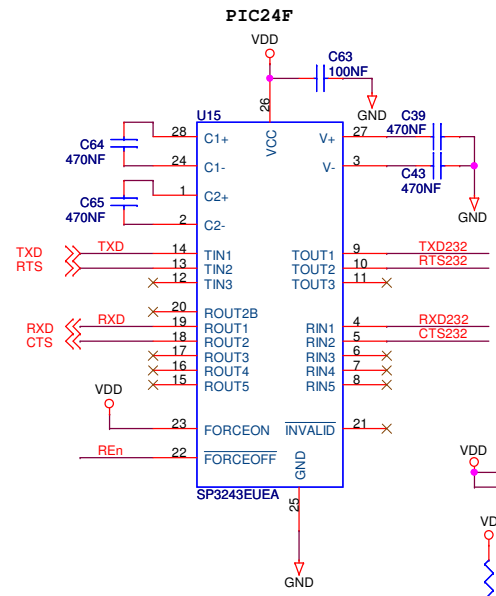
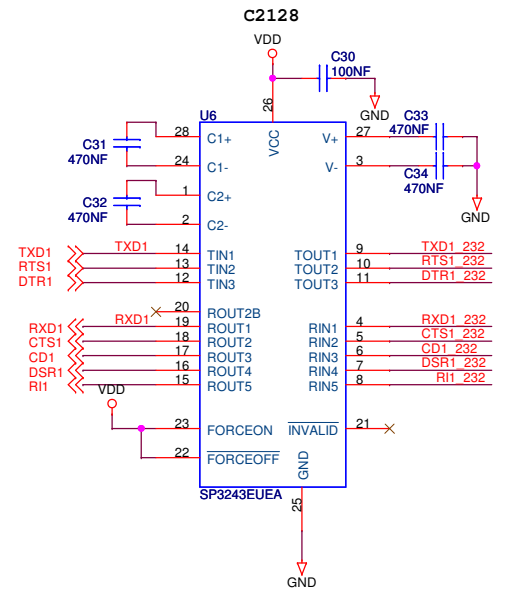
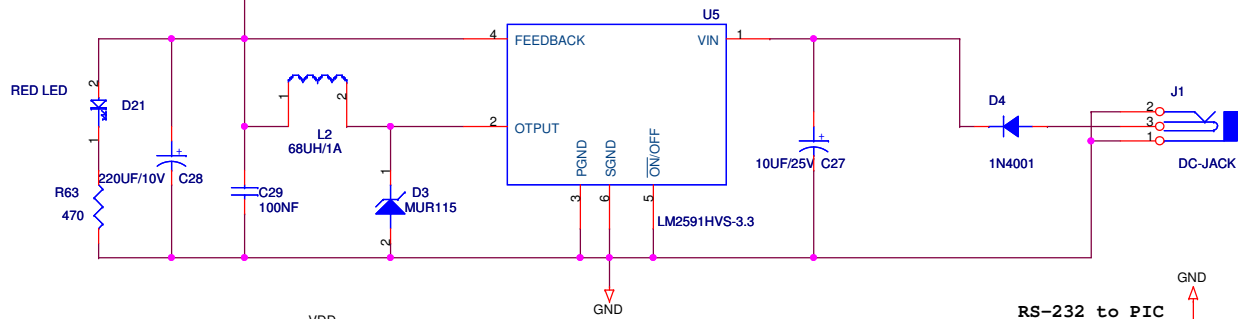
CO2128_FLASH		
Title	pic	
Size	Document Number	Rev
B		1.0
Date:	Tuesday, December 18, 2007	Sheet 2 of 5



Title		
RMI1		
Size	Document Number	Rev
B	PIC	1.0
Date:	Wednesday, November 21, 2007	Sheet 3 of 5

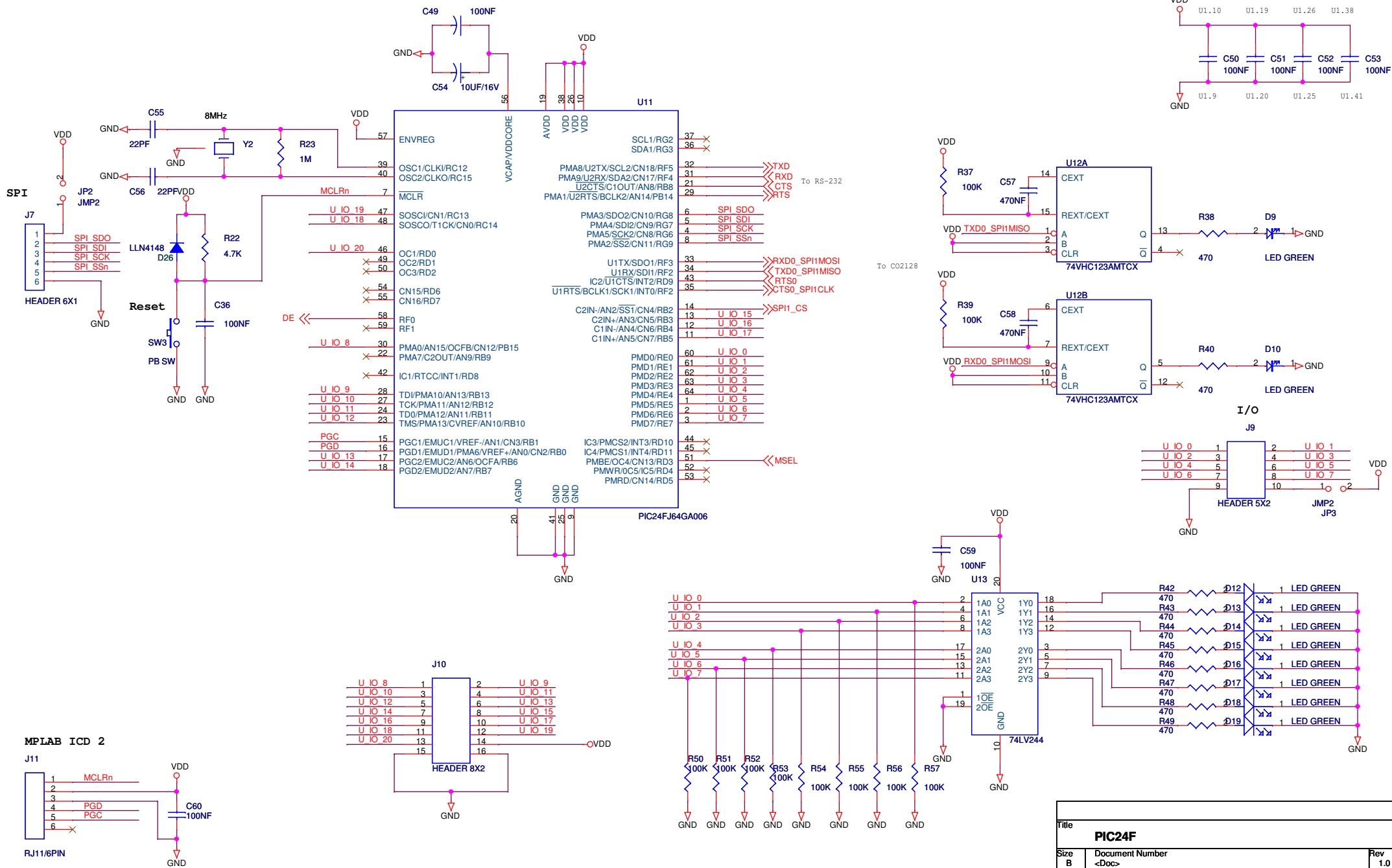


REn=0 R-485 ON, R-232 OFF



Note:U5 SP3243ECA=120bps SSOP-28 ,SP3243EUEA =1Mbps SSOP-28 ,MAX3245EEAI=1Mbps ssop-28.

Title		
RS232_RS485		
Size	Document Number	Rev
B	PIC	1
Date:	Tuesday, December 18, 2007	Sheet 4 of 5



Title		
PIC24F		
Size	Document Number	Rev
B	<Doc>	1.0
Date:	Tuesday, December 18, 2007	Sheet 5 of 5